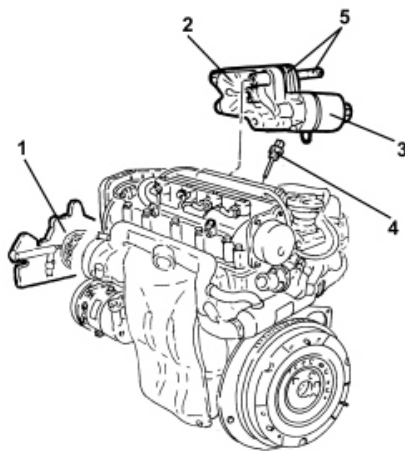


ALFA 159 2.4 JTD 20V INTRODUCTION - ENGINE LUBRICATION

COMPOSITION

1. Oil pump
2. Oil filter cartridge mount
3. Oil filter
4. Engine oil level sensor
5. Water/oil heat exchanger